



Unit shown with service panels removed. Representative drawing only. Some models may vary in appearance. Due to continuous product improvement, specifications are subject to change without notice.



## FEATURES AND SPECIFICATIONS:

### APPLICATION VERSATILITY

One model that delivers 2 to 5 tons of cooling or heating airflow. Upflow (with MAD coil box) and downflow applications. Can be installed in closet and alcove.

### MOTOR

Constant torque ECM speeds and torques are controlled by software embedded in the motor to maintain constant torque. Motors are pre-programmed at the factory. Direct drive blowers circulate air quietly and efficiently. Motor speeds and torques programmed in the motor. Blowers mounted on rails so they can be easily removed for service.

### CABINET

Sturdy, galvanized steel cabinet with painted front panels. Cabinet fully insulated with 1/2" micro mat non-hygroscopic insulation to prevent sweating, to encapsulate glass fibers, and to provide excellent R-value. Stick pins ensure insulation remains in place.

### MODULAR ELECTRIC HEAT KITS

Heat kits available with either circuit breakers or terminal blocks. Available from 3 to 20 KW. Models with electric heat include sequencers and temperature limit switches for safe, efficient operation. Modules are easily installed in the field using molex plugs or can be ordered factory-installed. Controls are accessible from the front for easy service. Disconnect does not protrude through the wall panel.

### ELECTRONIC CIRCUIT BOARD

Electronic circuit board provides 30 secs ON/OFF blower time delay extracting more heat/cool from the coil. Automotive pull-style fuse integrated into board for easy diagnosis and replacement of fuse.

### WARRANTY

Hassle-free five-year limited parts warranty.

### OPTIONS

See options menu.

## ASK FOR ASPEN

### HEATING AND COOLING PERFORMANCE AND ELECTRICAL DATA

| MODEL | ELECTRIC HEAT KIT | PERFORMANCE DATA      |              |      |                 | ELECTRICAL DATA |                                |         |                          |       |
|-------|-------------------|-----------------------|--------------|------|-----------------|-----------------|--------------------------------|---------|--------------------------|-------|
|       |                   | NOMINAL COOLING (BTU) | HEATING (KW) |      | HEATING (KBTUH) |                 | MINIMUM CIRCUIT AMPACITY (MCA) |         | MAX BREAKER OR FUSE SIZE |       |
|       |                   |                       | 208V         | 240V | 208V            | 240V            | 208V                           | 240V    | 208V                     | 240V  |
| AEN   | F(C,T)L00         | 24,000 - 60,000       | 0            | 0    | 0               | 0               | 6.8                            | 6.8     | 15                       | 15    |
|       | F(C,T)L03         |                       | 2.3          | 3    | 7.8             | 10.2            | 20.3                           | 22.4    | 25                       | 25    |
|       | F(C,T)L05         |                       | 3.6          | 4.8  | 12.6            | 16.4            | 28.4                           | 31.8    | 30                       | 35    |
|       | F(C,T)L08         |                       | 6            | 8    | 20.4            | 27.3            | 42.8                           | 48.4    | 45                       | 50    |
|       | F(C,T)L10         |                       | 7.2          | 9.6  | 24.5            | 32.8            | 50                             | 56.8    | 50                       | 60    |
|       | F(C,T)L15         |                       | 10.8         | 14.4 | 38.5            | 49.1            | 50/21.6                        | 56.8/25 | 50/25                    | 60/25 |
|       | F(C,T)L20         |                       | 14.4         | 19.2 | 49.1            | 65.5            | 50/43.3                        | 56.8/50 | 50/45                    | 60/50 |

### BLOWER DATA

| MODEL | SPEED TAP | MOTOR |      |         | CFM V EXTERNAL STATIC* |      |      |      |      |
|-------|-----------|-------|------|---------|------------------------|------|------|------|------|
|       |           | HP    | AMPS | VOLTAGE | 0.10                   | 0.20 | 0.30 | 0.40 | 0.50 |
| AEN   | TAP 1     | 3/4   | 5.4  | 240     | 940                    | 850  | 795  | 740  | 640  |
|       | TAP 2     |       |      |         | 1155                   | 1070 | 1015 | 950  | 885  |
|       | TAP 3     |       |      |         | 1375                   | 1305 | 1255 | 1180 | 1127 |
|       | TAP 4     |       |      |         | 1500                   | 1430 | 1375 | 1315 | 1260 |
|       | TAP 5     |       |      |         | 1850                   | 1800 | 1760 | 1710 | 1650 |

### AIR HANDLER CHASSIS NOMENCLATURE

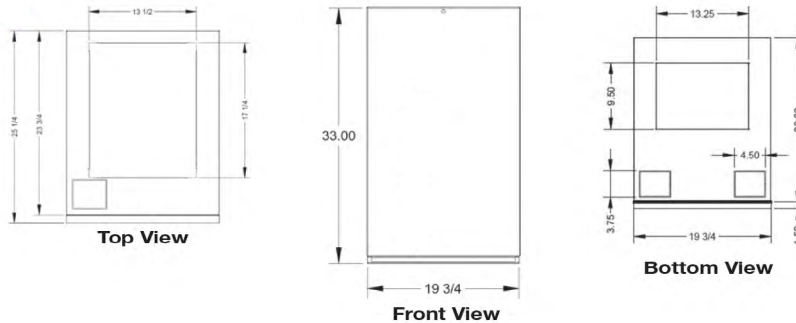
| AEN   | -001        |
|---|-------------|
| AEN = 240V CONSTANT TORQUE ECM<br>MANUFACTURED ELECTRIC HOUSING FURNACE | OPTION CODE |

### ELECTRIC HEAT KIT NOMENCLATURE

| F             | C   | L | 03   |
|---------------|---|---|--|
| ELECTRIC HEAT | INTERRUPTION<br>C = CIRCUIT BREAKER<br>T = TERMINAL BLOCK | L | Heat Strip<br>00 = 0 KW<br>03 = 3 KW<br>05 = 5 KW<br>08 = 8 KW<br>10 = 10 KW<br>15 = 15 KW<br>20 = 20 KW |

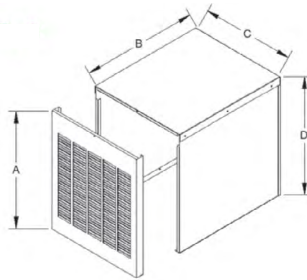
| SHIPPING SPECIFICATIONS |                  |          |
|-------------------------|------------------|----------|
| MODEL                   | SHIP WEIGHT (LB) | SKID QTY |
| AEN                     | 85               | 4        |

**Fig. 1**



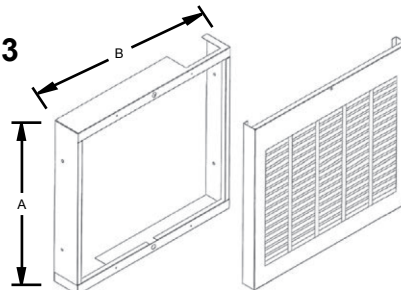
| CABINET DIMENSIONS AND SPECIFICATIONS (FIG. 2) [in.] |              |    |        |        |    |
|--|--------------|----|--------|--------|----|
| PANEL MODEL  | FOR USE WITH | A  | B      | C      | D  |
| MAD-01(L)  | AEN          | 18 | 23-1/2 | 19-3/4 | 18 |
| MAD-02(L)  |              | 24 |        |        | 24 |
| MAD-03(L)  |              | 36 |        |        | 36 |

**Fig. 2**



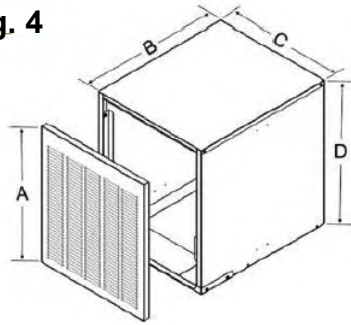
| CABINET DIMENSIONS AND SPECIFICATIONS (FIG. 3) [in.] |              |    |        |
|--|--------------|----|--------|
| PANEL MODEL  | FOR USE WITH | A  | B      |
| MAD-04(L)  | AEN          | 24 | 19-3/4 |

**Fig. 3**



| CABINET DIMENSIONS AND SPECIFICATIONS (FIG. 4) [in.] |                                      |    |        |        |    |
|--|--------------------------------------|----|--------|--------|----|
| PANEL MODEL  | APPLICATION                          | A  | B      | C      | D  |
| MAD-07   | DOWNFLOW (FRONT RETURN) COIL CABINET | 24 | 23-1/2 | 19-3/4 | 24 |
| MAD-08   | UPFLOW (BOTTOM RETURN) COIL CABINET  |    |        |        |    |
| MAD-09   | DOWNFLOW (TOP RETURN) COIL CABINET   |    |        |        |    |

**Fig. 4**



## ASK FOR ASPEN

AEN Spec-2024-12

In keeping with its commitment to continuous improvement, Aspen Manufacturing reserves the right to make changes without notice and incurring obligation.