



Representative image only. Some models may vary in appearance. Due to continuous product improvement, specifications are subject to change without notice.



Product Features and Specifications

APPLICATION VERSATILITY

Downflow only application. Can be installed in closet and alcove.

MOTOR

Constant torque ECM speeds and torques are controlled by software embedded in the motor to maintain constant torque. Motors are pre-programmed at the factory.

CABINET

Sturdy, galvanized steel cabinet with painted front panels. Cabinet fully insulated with 1/2" micro mat non-hygroscopic insulation to prevent sweating and mold growth, to encapsulate glass fibers, and to provide excellent R-value. Stick pins ensure insulation remains in place.

MODULAR ELECTRIC HEAT KITS

Heat kits available with either circuit breakers or terminal blocks. Available from 3 to 20 KW. Models with electric heat include sequencers and temperature limit switches for safe, efficient operation. Modules are easily installed in the field using molex plugs or can be ordered factory-installed. Controls are accessible from the front for easy service. Disconnect does not protrude through the wall panel.

ELECTRONIC CIRCUIT BOARD

Electronic circuit board provides 30 secs ON/OFF blower time delay extracting more heat/cool from the coil.

BLOWER

Direct drive blowers circulate air quietly and efficiently. Motor speeds and torques programmed in the motor. Blowers mounted on rails so they can be easily removed for service.

WARRANTY

Five-year limited parts warranty.

OPTIONS

See Options menu.



For complete warranty details
visit www.AspenMfg.com



AEN SERIES

DOWNFLOW MANUFACTURED HOME

ELECTRIC FURNACE

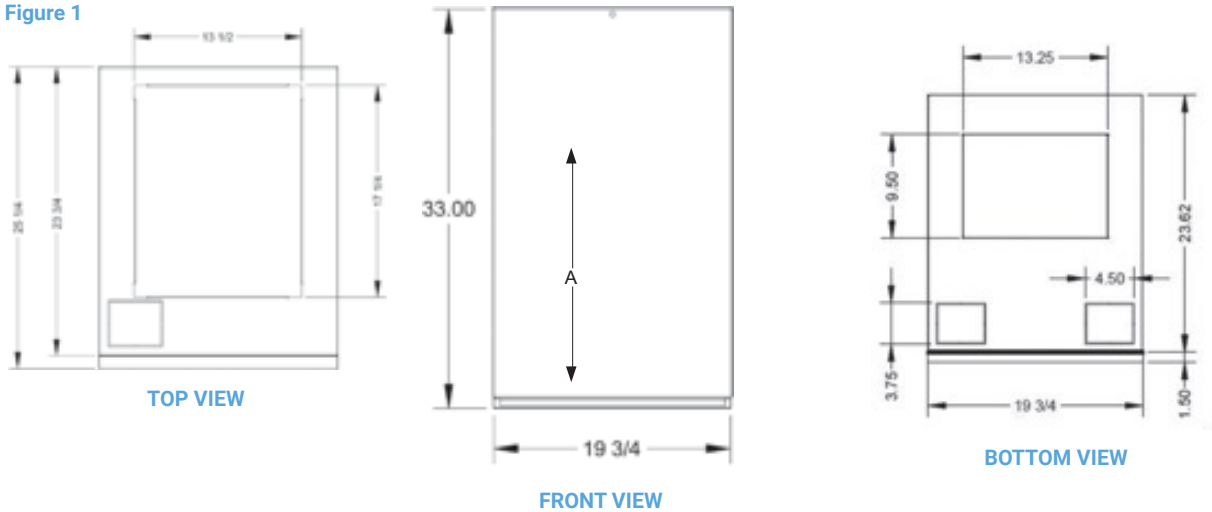
HEATING AND COOLING PERFORMANCE AND ELECTRICAL DATA									
MODEL	HEAT KIT	PERFORMANCE DATA				ELECTRICAL DATA			
		NOMINAL COOLING (BTUS)	FAN AMPS	HEATING (KW)		MINIMUM CIRCUIT AMPACITY (MCA)		MAX BREAKER OR FUSE SIZE	
				208V	240V	208V	240V	208V	240V
AEN 24	F(C,T)L00	24,000	4.1	0.0	0.0	5.1	5.1	15	15
	F(C,T)L03			2.3	3.0	18.6	20.8	20	25
	F(C,T)L05			3.8	5.0	26.8	30.1	30	35
	F(C,T)L08			6.1	8.0	41.2	46.8	45	50
	F(C,T)L10			6.8	9.0	48.4	55.1	50	60
AEN 30	F(C,T)L00	30,000		0.0	0.0	5.1	5.1	15	15
	F(C,T)L03			2.3	3.0	18.6	20.8	20	25
	F(C,T)L05			3.8	5.0	26.8	30.1	30	35
	F(C,T)L08			6.1	8.0	41.2	46.8	45	50
	F(C,T)L10			6.8	9.0	48.4	55.1	50	60
	F(C,T)L15			10.6	14.0	45.5/22.8	52.0/26.0	50/25	60/30
AEN 36	F(C,T)L00	36,000		0.0	0.0	5.1	5.1	15	15
	F(C,T)L03			2.3	3.0	18.6	20.8	20	25
	F(C,T)L05			3.8	5.0	26.8	30.1	30	35
	F(C,T)L08			6.1	8.0	41.2	46.8	45	50
	F(C,T)L10		6.8	9.0	48.4	55.1	50	60	
	F(C,T)L15		10.6	14.0	45.5/22.8	52.0/26.0	50/25	60/30	
AEN 42	F(C,T)L00	42,000	0.0	0.0	5.1	5.1	15	15	
	F(C,T)L05		3.8	5.0	26.8	30.1	30	35	
	F(C,T)L10		6.8	9.0	48.4	55.1	50	60	
	F(C,T)L15		10.6	14.0	45.5/22.8	52.0/26.0	50/25	60/30	
	F(C,T)L20		13.8	18.0	45.5/40.9	52.0/46.9	50/45	60/60	
AEN 48	F(C,T)L00	48,000	0.0	0.0	9.5	9.5	20	20	
	F(C,T)L05		3.8	5.0	31.1	34.5	35	40	
	F(C,T)L10		6.8	9.0	52.8	59.5	60	60	
	F(C,T)L15		10.6	14.0	49.4/22.8	56.4/26.0	50/30	60/30	
	F(C,T)L20		13.8	18.0	49.4/40.9	56.4/46.9	60/50	60/60	
AEN 60	F(C,T)L00	60,000	0.0	0.0	9.5	9.5	15	20	
	F(C,T)L05		3.8	5.0	31.1	34.5	35	40	
	F(C,T)L10		6.8	9.0	52.8	59.5	60	60	
	F(C,T)L15		10.6	14.0	49.4/22.8	56.4/26.0	50/30	60/30	
	F(C,T)L20		13.8	18.0	49.4/40.9	56.4/46.9	60/50	60/60	

BLOWER DATA									
MODEL	SPEED TAP	MOTOR HP	MOTOR AMPS	MOTOR VOLTAGE	CF M V. EXTERNAL STATIC*				
					0.10	0.20	0.30	0.40	0.50
AEN 24/30/36/42	T-2	1/2	4.1	240	880	840	780	720	680
	T-3				1120	1080	1060	1000	960
	T-4				1300	1260	1240	1200	1160
	T-1				1480	1420	1360	1340	1300
AEN 48/60	T-2	1	7.6		1480	1420	1360	1320	1300
	T-1				1860	1820	1780	1720	1640

AIR HANDLER CHASSIS NOMENCLATURE		
AEN	18	-001
AEN = 240V CONSTANT TORQUE ECM MANUFACTURED HOUSING	NOMINAL TONNAGE (MBTUH)	OPTION CODE
DOWNFLOW ELECTRIC FURNACE		

ELECTRIC HEAT KIT NOMENCLATURE			
F	C	L	03
ELECTRIC HEAT	<p>INTERRUPTION</p> <p>C = CIRCUIT BREAKER T = TERMINAL BLOCK</p> <p>P = CIRCUIT BREAKER W/SINGLE POINT</p> <p>3 = 3-PHASE CIRCUIT BREAKER</p> <p>4 = 3-PHASE TERMINAL BLOCK</p>	L = 24-60	<p>Heat Strip 00 = 0 KW</p> <p>03 = 3 KW</p> <p>05 = 5 KW</p> <p>08 = 8 KW</p> <p>10 = 10 KW</p> <p>15 = 15 KW</p> <p>20 = 20 KW</p>

Figure 1



CABINET DIMENSIONS AND SPECIFICATIONS (FIG 2)					
PANEL MODEL	FOR USE WITH	A	B	C	D
MAD-01(L)	AEN	18	23-1/2	19-3/4	18
MAD-02(L)	AEN	24			24
MAD-03(L)	AEN	36			36

Figure 2

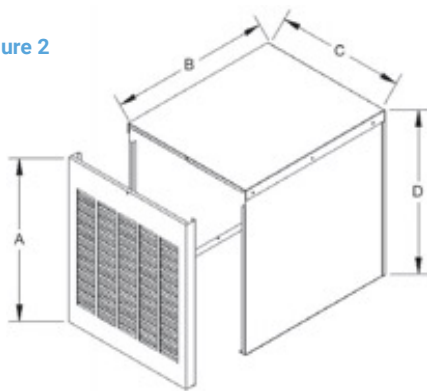
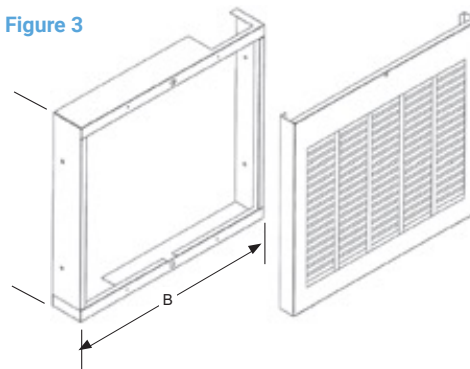


Figure 3



DOOR WITH FRAME KIT DIMENSIONS (FIG 3)			
PANEL MODEL	FOR USE WITH	A	B
MAD-04(L)	AEN	24	19-3/4

Ask for Aspen. North America's Largest Independent Coil and Air Handler Manufacturer.

Aspen Manufacturing is one of the largest independent evaporator coil and air handler manufacturers for the heating, ventilation, and air conditioning (HVAC) industry. As a recognized leader in product quality and indoor comfort, Aspen has continued to deliver on its promise of world-class performance since 1975. All products are designed, engineered, and manufactured in the United States with a commitment to utilizing a US supply chain where possible. The company's product offerings include high-quality residential and light commercial evaporator coils, blowers, and air handling units for multi-family, single-family residential, and manufactured homes.



Aspen utilizes state-of-the-art fabrication, assembly equipment, and stringent quality processes to maintain the highest possible quality in its products. The company adheres to its award-winning lean manufacturing system designed to eliminate inefficient procedures, policies, and production practices. Incorporating ISO techniques, the company's quality management system (QMS) ensures product delivery that meets the highest industry standards. Beyond technical compliance, Aspen can quickly adapt to changing market demands thanks to the company's nimble ability to react to changes in requirements and leadership's commitment to enabling a customer-centered company philosophy.



Revised 1-24
In keeping with its commitment to continuous improvement, Aspen Manufacturing reserves the right to make changes without notice and incurring obligation. ©2023



373 Atascosita Road, Humble, TX 77396 | P 800-423-9007
www.AspenMfg.com