



PBS SERIES

PRODUCT DIMENSIONS & SPECIFICATIONS

UNCASED CEILING MOUNT HYDRONIC HEAT DX COOL AIR HANDLER

WARRANTY

ONE YEAR LIMITED
PARTS WARRANTY

STANDARD FEATURES

■ APPLICATION VERSATILITY

Built-in mounting tabs for ceiling or fur-down mounting. Compatible with most brands of air conditioners and heat pumps. Optional louvered ceiling access panel has separate frame that attached to ceiling joists. Optional solid ceiling panel available for use with ducted return. Less than 2% air leakage when tested in accordance with ASHRAE standard 193.

■ MOTOR

Direct drive blowers circulate air quietly and efficiently. Multiple speeds allow for precise air volume selection. Air moving system is plated mounted to allow for easy removal and service.

■ ELECTRONIC CONTROLS

Electronic board controls the functioning of system, increasing system reliability. Standard factory installed freeze stat wired into circulating pump control circuit. Standard factory installed fan time delay relay for increased efficiency and maximize capacity. Standard factory installed pump cycle timer circulates hot water every four hours to prevent coil freeze during off-cycle.



- Factory installed service switch
- Factory installed freeze protection
- Rifled copper tube/enhanced aluminum fins DX and hydronic coils for more efficient heat
- Schrader valve on DX and hydronic coils for "hisstest" leak check
- Low leak cabinet design*

■ DIRECT EXPANSION/HYDRONIC COILS

High efficiency rifled copper tube and enhanced aluminum fins provide maximum heat transfer. All coils are immersion tested at 500 PSI and nitrogen charged for maximum reliability. Schrader valve allows for "hiss-test" pre-installation pressure test. Available with factory installed orifice or TXV. Primary and secondary DX condensate drain with 3/4" NPT connections. Powder-painted galvanized drain pan. Certified for use with R22 or R410A. Lead free construction. Hydronic coils suitable for potable water applications

■ LOW LEAKAGE

Less than 2% air leakage from cabinet when installed in enclosure and tested in accordance with ASHRAE 193. Sturdy, fully insulated galvanized enclosure with ducted return available as option.



MANUFACTURED
IN THE USA

OPTIONS
SEE OPTIONS MENU

WWW.AspenMFG.com

Last Revised: 06/24/21 | © 2021 Aspen Manufacturing

Representative image only. Some models may vary in appearance. Due to continuous product improvement, specifications are subject to change without notice.

HEATING AND COOLING PERFORMANCE & ELECTRICAL DATA

MODEL	PERFORMANCE DATA				ELECTRICAL DATA			
	NOMINAL COOLING (BTUS)	HEATING GPM	PRESS. DROP (FT. WTR)	BTU (1000) AT ENTERING WATER TEMPERATURE °F			MINIMUM CIRCUIT AMPACITY (MCA)	MAX BREAKER OR FUSE SIZE
				120	140	180		
PBS26	24,000	2	2.2	15.7	22.0	34.6	5.38	15
		3	4.3	17.0	23.8	37.4		
		4	6.8	17.6	24.7	38.8		
PBS32	30,000	2	2.2	17.3	24.2	38.0	3.38	15
		3	4.3	18.8	26.3	41.3		
		4	6.8	19.6	27.5	43.2		
PBS33	36,000	2	2.8	19.7	27.6	43.4	3.38	15
		3	5.4	21.7	30.4	47.8		
		4	8.5	22.8	31.9	50.1		
PBS37	36,000	2	2.8	19.7	27.6	43.4	3.38	15
		3	5.4	21.7	30.4	47.8		
		4	8.5	22.8	31.9	50.1		

Copper stub out diameter: Suction: 3/4", Liquid: 3/8"

BLOWER DATA

MODEL	SPEED TAP	AMP	VOLT	HP	CFM VS. STATIC PRESSURE				
					0.1	0.2	0.3	0.4	0.5
PBS 26	HIGH	3.8	120	1/3	975	900	830	745	680
	LOW				900	840	770	690	620
PBS 32	HIGH	2.3	120	1/5 (2)	1055	965	865	755	605
	LOW				1015	915	815	705	565
PBS 33	HIGH	2.3	120	1/5 (2)	1235	1150	1040	925	830
	LOW				1050	980	900	800	680
PBS 37	HIGH	2.3	120	1/5 (2)	1235	1150	1040	925	830
	LOW				1050	980	900	800	680

Units should not be applied to a system with less than 350 CFM/Ton airflow.

Add 0.05 static when enclosure and/or ceiling panel are used.

PBS 32, PBS 33 and PBS 37 have two motors and four blowers.

AIR HANDLER CHASSIS NOMENCLATURE

P	B	S	18	G	-001
AspenPRO Air Handler	<u>Voltage</u> B = 120V PSC Motor	<u>Configuration</u> S = Uncased Ceiling Mount	<u>Nominal Tonnage (KBTUH)</u>	<u>Metering Device</u> 4 = R410A non-bleed A/C or H/P TXV 6 = R410A 20% bleed A/C or H/P TXV B = R22 20% bleed A/C or H/P TXV F = R22 Flo-rater G = R410A Flo-rater X = R22 non-bleed A/C or H/P TXV	Option Code

HYDRONIC HEAT KIT NOMENCLATURE

Z	T	2	S	P
Water Heat Hydronic	Terminal Block	2 = 2 Row Hydronic Coil	<u>PBS - 26/32 - M</u> <u>PBS - 33/37 - L</u>	<u>P = Taco 006 Bronze Pump</u> <u>8 = Taco 008 Bronze Pump</u> <u>L = Less Pump</u>

VERSATILITY

Equipped with hidden frame feature. Fastens to the outside wall surface and does not have to perfectly match the hole opening. Frame screws are not visible after installation. Available in either solid (S) or louvered (L) style.

MATERIALS

Galvanized steel construction with smooth powder paint finish

FILTER

20" x 20" x 1" field supplied.

WARRANTY

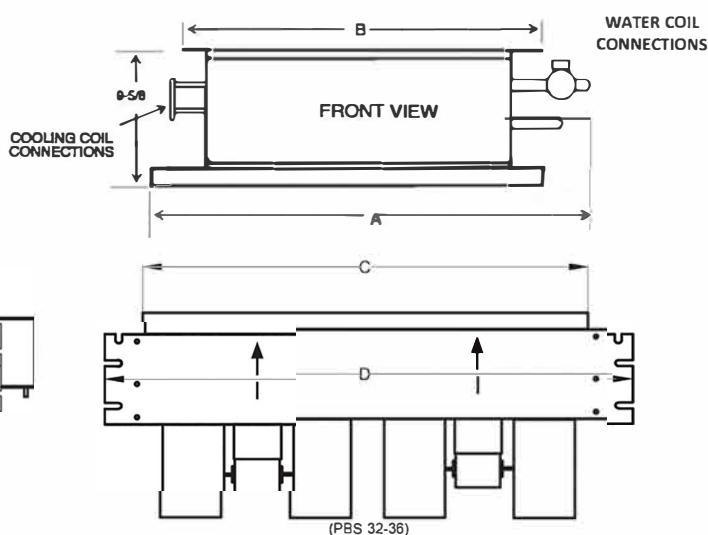
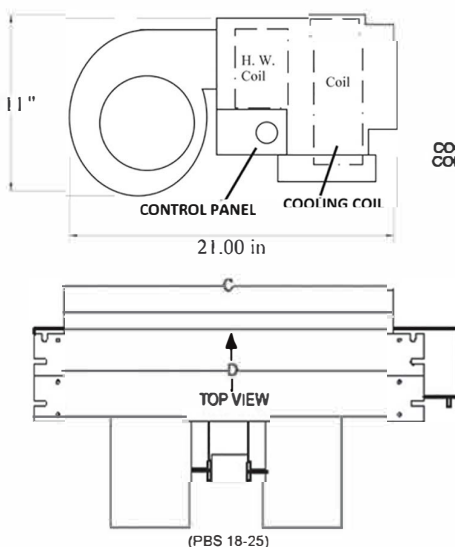
**ONE YEAR LIMITED
PARTS WARRANTY**

PHYSICAL DIMENSIONS

UNIT MODEL	A"	B"	C"	D"	WEIGHT (LBS)	SKID QTY.
PBS 26	55	50	42	50	101	8
PBS 32	55	50	42	50	121	8
PBS 33-37	62	50	48	56	127	8

ACCESS DOOR DIMENSIONS

FOR USE WITH	PANEL MODEL	PBS ACCESS DOOR AND FRAME				FILTERS (QTY)
		A"	B"	C"	D"	
PBS 26/32	GAD-6(S/L)	63-1/2	27 1/2	61-1/2	26	2
PBS 33/37	GAD-4(S/L)	70-1/2	27 1/2	68-1/2	26	2



Copper stub out diameter: DX - Suction: 3/4", Liquid: 3/8";
Hydronic - Water In/Out: 7/8"



Dependable, Lasting, Indoor-Comfort

373 Atascocita Rd | Humble, TX 77396
P: 800.423.9007 | F: 281.441.6510

www.AspenMFG.com

	WARNING
	CANCER AND REPRODUCTIVE HARM WWW.P65WARNINGS.CA.GOV