



PFS SERIES

PRODUCT DIMENSIONS & SPECIFICATIONS

UNCASED CEILING MOUNT HYDRONIC HEAT HIGH EFFICIENCY ECM DX COOL AIR HANDLER



WARRANTY

ONE YEAR LIMITED
PARTS WARRANTY

STANDARD FEATURES

■ APPLICATION VERSATILITY

Built-in mounting tabs for ceiling or fur-down mounting. Compatible with most brands of air conditioners and heat pumps. Optional louvered ceiling access panel has separate frame that attached to ceiling joists. Optional solid ceiling panel available for use with ducted return. Less than 2% air leakage when tested in accordance with ASHRAE standard 193.

■ MOTOR

Constant torque ECM speeds and torques are controlled by embedded motor software and factory preprogrammed. Direct drive blowers circulate air quietly and efficiently. Air moving system is plated mounted to allow for easy removal and service.

■ ELECTRONIC CONTROLS

Electronic board controls the functioning of system, increasing system reliability. Standard factory installed freeze stat wired into circulating pump control circuit. Standard factory installed fan time delay relay for increased efficiency and maximize capacity. Standard factory installed pump cycle timer circulates hot water every four hours to prevent coil freeze during off-cycle.

- Factory installed service switch
- Factory installed freeze protection
- Rifled copper tube/enhanced aluminum fins DX and hydronic
- Schrader valve on DX and hydronic coils for "hiss-test" leak check
- Low leak cabinet design* coils for more efficient heat transfer

■ DIRECT EXPANSION/HYDRONIC COILS

High efficiency rifled copper tube and enhanced aluminum fins provide maximum heat transfer. All coils are immersion tested at 500 PSI and nitrogen charged for maximum reliability. Schrader valve allows for "hiss-test" pre-installation pressure test. Available with factory installed orifice or TXV. Primary and secondary DX condensate drain with 3/4" NPT connections. Powder-painted galvanized drain pan. Certified for use with R22 or R410A. Lead free construction. Hydronic coils suitable for potable water applications.

■ LOW LEAKAGE

Less than 2% air leakage from cabinet when installed in enclosure and tested in accordance with ASHRAE 193. Sturdy, fully insulated galvanized enclosure with ducted return available as option.



MANUFACTURED
IN THE USA

OPTIONS
SEE OPTIONS MENU

WWW.AspenMFG.com

Last Revised: 06/24/21 | © 2021 Aspen Manufacturing

Representative image only. Some models may vary in appearance. Due to continuous product improvement, specifications are subject to change without notice.

HEATING AND COOLING PERFORMANCE & ELECTRICAL DATA

MODEL	PERFORMANCE DATA					
	NOMINAL COOLING (BTUS)	HEATING GPM	PRESS. DROP (FT. WTR)	BTU (1000) AT ENTERING WATER TEMPERATURE °F		
				120	140	180
PFS26	24,000	2	2.2	15.7	22.0	34.6
		3	4.3	17.0	23.8	37.4
		4	6.8	17.6	24.7	38.8
PFS32	30,000	2	2.2	17.3	24.2	38.0
		3	4.3	18.8	26.3	41.3
		4	6.8	19.6	27.5	43.2
PFS33	36,000	2	2.8	19.7	27.6	43.4
		3	5.4	21.7	30.4	47.8
		4	8.5	22.8	31.9	50.1
PFS37	36,000	2	2.8	19.7	27.6	43.4
		3	5.4	21.7	30.4	47.8
		4	8.5	22.8	31.9	50.1

NOTES: Heat BTUH is at 70 degree EAT. 120 degree and 180 degree data is supplied for boiler applications. Heat BTUH output will not exceed output of water heater.

BLOWER DATA

UNIT MODEL	SPEED TAP	MOTOR AMPS	MOTOR BHP	MOTOR HP	CFM VS. STATIC PRESSURE					
					0.1	0.2	0.3	0.4	0.5	
PFS 26	HIGH	3.9	0.29	1/2	1005	965	920	850	780	
	MEDIUM	2.7	0.20		845	795	755	720	680	
	LOW	2.2	0.17		765	710	665	635	600	
PFS 32	HIGH	4.7	0.36		1180	1155	1100	1040	980	
	MEDIUM	3.4	0.26		1085	1040	995	965	920	
	LOW	3.2	0.24		1030	965	935	885	845	
PFS 33	HIGH	5.9	0.45		1/2(2)	1455	1375	1285	1195	1105
	MEDIUM	4.7	0.36			1300	1245	1185	1150	1075
	LOW	3.6	0.27				1030	975	915	860
PFS 37	HIGH	5.9	0.45	1455		1375	1285	1195	1105	
	MEDIUM	4.7	0.36	1300		1245	1185	1150	1075	
	LOW	3.6	0.27			1030	975	915	860	

Units should not be applied to a system with less than 350 CFM/Ton airflow.

Add 0.05 static when enclosure and/or ceiling panel are used.

PFS 33 and PFS 37 have two motors and four blowers.

AIR HANDLER CHASSIS NOMENCLATURE

P	F	S	18	G	-001
AspenPRO Air Handler	F=120V Constant Torque ECM Motor	<u>Configuration</u> S= Uncased Ceiling Mount	Nominal Tonnage (KBTUH)	<u>Metering Device</u> 4 = R410A non-bleed A/C or H/P TXV 6 = R410A 20% bleed A/C or H/P TXV B = R22 20% bleed A/C or H/P TXV F = R22 Flo-rater G = R410A Flo-rater X = R22 non-bleed A/C or H/P TXV	Option Code

VERSATILITY

Equipped with hidden frame feature. Fastens to the outside wall surface and does not have to perfectly match the hole opening. Frame screws are not visible after installation. Available in either solid (S) or louvered (L) style.

MATERIALS

Galvanized steel construction with smooth powder paint finish.

FILTER

20" x 20" x 1" field supplied

WARRANTY

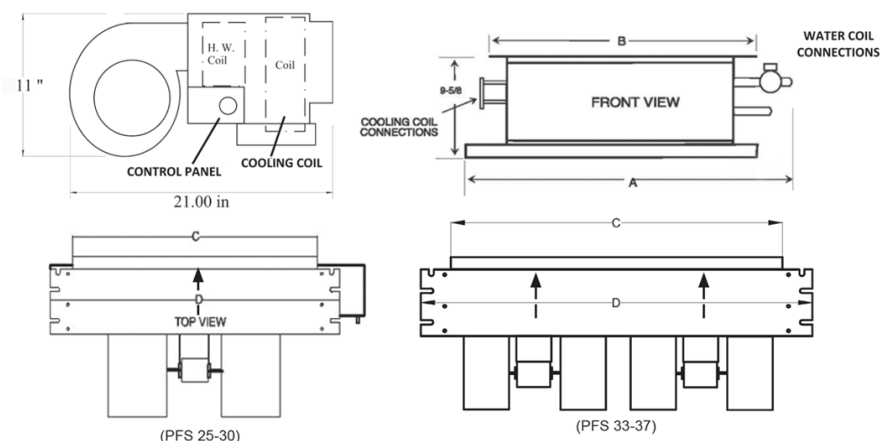
ONE YEAR LIMITED PARTS WARRANTY

HYDRONIC HEAT KIT NOMENCLATURE

Z	T	2	S	P
Water Heat Hydronic	Terminal Block	2 = 2 Row Hydronic Coil	PFS - 26/32 - M PFS 33/37 - L	P = Taco 006 Bronze Pump 8 = Taco 008 Bronze Pump L = Less Pump

PHYSICAL DIMENSIONS

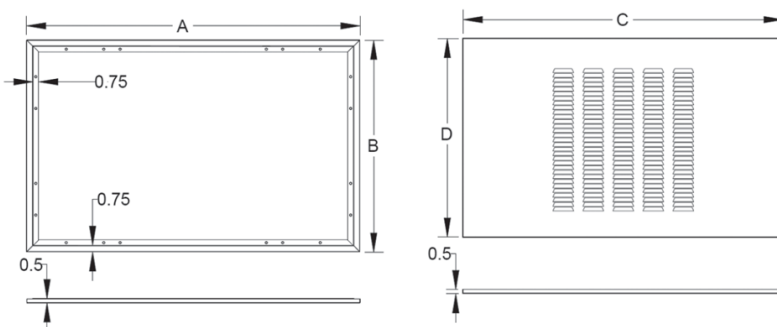
UNIT MODEL	A"	B"	C"	D"	SKID QTY.
PFS 26	55	50	42	50	8
PFS 32	55	50	42	50	8
PFS 33-37	62	56	48	56	8



Copper stub out diameter: DX - Suction: 3/4", Liquid: 3/8";
Hydronic - Water In/Out: 7/8"

ACCESS DOOR DIMENSIONS

FOR USE WITH	PANEL MODEL	PFS ACCESS DOOR AND FRAME				FILTERS (QTY)
		A"	B"	C"	D"	
PFS 26/30	GAD-6(S/L)	63-1/2	27 1/2	61-1/2	26	2
PFS 33/37	GAD-4(S/L)	70-1/2	27 1/2	68-1/2	26	2



373 Atascocita Rd | Humble, TX 77396
P: 800.423.9007 | F: 281.441.6510

WWW.AspenMFG.com

	WARNING
	CANCER AND REPRODUCTIVE HARM WWW.P65WARNINGS.CA.GOV