



Unit shown with service panels removed. Representative drawing only. Some models may vary in appearance.



FEATURES AND BENEFITS:

Application Versatility

Upflow or horizontal right as shipped (field convertible for downflow or horizontal left applications). Can be AHRI certified with most brands of air conditioners or heat pumps. ETL-listed for use with all major refrigerants when proper metering device is used.

Low Leakage Cabinet

Less than 2% air leakage from cabinet when tested in accordance with ASHRAE standard 193. Unit must be installed according to installation instructions. Sturdy, fully insulated galvanized steel cabinet with knockout for duct return.

Air Moving System

Constant torque ECM speeds and torques are controlled by software embedded in the motor to maintain constant torque. Motors are pre-programmed with speeds and torques at the factory for optimal performance and reliability. Direct drive blowers circulate air quietly and efficiently. Rail mounted blowers provide easy removal for service and maintenance.

Electronic Control Board

An electronic board controls the functioning of the system, reducing moving parts. The board provides a blower time delay to maximize heat/cool extraction and offers an integrated fuse for additional protection.

All Aluminum Coil

High efficiency rifled aluminum tubes and enhanced aluminum fins provide maximum heat transfer. All coils factory leak tested with two-stage pressure decay and mass spectrometer process, then nitrogen pressurized, and factory-sealed for maximum reliability. Available with either factory-installed orifice or TRXV metering device. Field-installable bolt-on TXVs are also available. Access door allows for easy coil cleaning.

Options

See Options menu.

ASK FOR ASPEN

Revised 7/2024

In keeping with its commitment to continuous improvement, Aspen Manufacturing reserves the right to make changes without notice and incurring obligation.

SPECIFICATIONS & PERFORMANCE:

HEATING AND COOLING PERFORMANCE AND ELECTRICAL DATA												
MODEL	ELECTRIC HEAT		PERFORMANCE DATA				ELECTRICAL DATA					
	ELECTRIC HEAT KIT MODEL	MIN MOTOR SPEED TAP REQUIRED FOR HEATER KITS	HEATING (kW)		TOTAL AMPS		HEATING CAPACITY (MBTUH)		MINIMUM CIRCUIT AMPACITY (MCA)		MAX BREAKER OR FUSE SIZE	
			208V	240V	208V	240V	208V	240V	208V	240V	208V	240V
LEM24A-E LEM36L	N(C,T)S00	N/A	0.0	0.0	2.8	2.8	0.0	0.0	3.5	3.5	15	15
	N(C,T)S03	TAP 2	2.3	3.0	13.6	15.3	7.8	10.2	17.0	19.1	20	20
	N(C,T)S05		3.6	4.8	20.1	22.8	12.3	16.4	25.1	28.5	30	30
	N(C,T)S06		4.5	6.0	24.4	27.8	15.4	20.5	30.5	34.8	35	35
	N(C,T)S08		6.0	8.0	31.6	36.1	20.5	27.3	39.6	45.2	40	50
	N(C,T)S10	TAP 3	7.2	9.6	37.4	42.8	24.6	32.8	46.8	53.5	50	60
LEM24F-M LEM36A-E LEM36K-M LEM48L	N(C,T)M00	N/A	0.0	0.0	4.1	4.1	0.0	0.0	5.1	5.1	15	15
	N(C,T)M03	TAP 3	2.3	3.0	14.9	16.6	7.8	10.2	18.6	20.8	20	25
	N(C,T)M05		3.6	4.8	21.4	24.1	12.3	16.4	26.8	30.1	30	35
	N(C,T)M06		4.5	6.0	25.7	29.1	15.4	20.5	32.2	36.4	35	40
	N(C,T)M08		6.0	8.0	32.9	37.4	20.5	27.3	41.2	46.8	45	50
	N(C,T)M10	TAP 4	7.2	9.6	38.7	44.1	24.6	32.8	48.4	55.1	50	60
	N(C,T)M15		7.2/3.6	9.6/4.8	38.7/17.3	44.1/20.0	36.8	49.1	48.4/21.6	55.1/25	50/25	60/25
LEM36F-J LEM48A-E *LEM60A-E *LEM60K-M	N(C,T)L00	N/A	0.0	0.0	7.6	7.6	0.0	0.0	9.5	9.5	15	15
	N(C,T)L03	TAP 2	2.3	3.0	18.4	20.1	7.8	10.2	23	25.1	25	30
	N(C,T)L05		3.6	4.8	24.9	27.6	12.3	16.4	31.1	34.5	35	35
	N(C,T)L06		4.5	6.0	29.2	32.6	15.4	20.5	36.5	40.8	40	45
	N(C,T)L08		6.0	8.0	36.4	40.9	20.5	27.3	45.6	51.2	50	60
	N(C,T)L10	TAP 3	7.2	9.6	42.2	47.6	24.6	32.8	52.8	59.5	60	60
	N(C,T)L15		7.2/3.6	9.6/4.8	42.2/17.3	47.6/20.0	36.8	49.1	52.8/21.6	59.5/25	60/25	60/25
	*N(C,T)L20		7.2/7.2	9.6/9.6	42.2/34.6	47.6/40.0	49.1	65.5	52.8/43.3	59.5/50	60/45	60/50
LEM48F-J LEM60F-J	N(C,T)X00	N/A	0.0	0.0	7.6	7.6	0.0	0.0	9.5	9.5	15	15
	N(C,T)X03	TAP 2	2.3	3.0	18.4	20.1	7.8	10.2	23	25.1	25	30
	N(C,T)X05		3.6	4.8	24.9	27.6	12.3	16.4	31.1	34.5	35	35
	N(C,T)X06		4.5	6.0	29.2	32.6	15.4	20.5	36.5	40.8	40	45
	N(C,T)X08		6.0	8.0	36.4	40.9	20.5	27.3	45.6	51.2	50	60
	N(C,T)X10		7.2	9.6	42.2	47.6	24.6	32.8	52.8	59.5	60	60
	N(C,T)X15		7.2/3.6	9.6/4.8	42.2/17.3	47.6/20.0	36.8	49.1	52.8/21.6	59.5/25	60/25	60/25
	N(C,T)X20		7.2/7.2	9.6/9.6	42.2/34.6	47.6/40.0	49.1	65.5	52.8/43.3	59.5/50	60/45	60/50

NOTE: * = The N(C,T)L20 is only available for the LEM60(A-E) & LEM60(K-M)

AIR HANDLER CHASSIS NOMENCLATURE				
LEM	18	D	G	000
LEM 240V Constant torque ECM Multi-Position Air Handler	NOMINAL TONNAGE (MBTUH)	D= Coil size (slab size, depth, rows)	METERING DEVICE 4 = non-bleed A/C or H/P R410 TXV 6 = 20% bleed A/C or H/P R410 TXV B = 20% bleed A/C or H/P R410 TXV G = R410 Flo-rater F = R-22 Flo-rater X = non-bleed A/C or H/P R22TXV	OPTION CODE

Revised 7/2024

In keeping with its commitment to continuous improvement, Aspen Manufacturing reserves the right to make changes without notice and incurring obligation.

ELECTRIC HEAT KIT NOMENCLATURE			
N	C	L*	00
N = ELECTRIC HEAT	C = Circuit Breaker T = Terminal Block	S = 24(A-E) 36L	Heat Strip 00 = 0 KW 03 = 3 KW 05 = 5 KW 06 = 6 KW 08 = 8 KW 10 = 10 KW
		M = 24(F-M) 36(A-E) 36(K,M) 48 (K-L)	Heat Strip 00 = 0 KW 03 = 3 KW 05 = 5 KW 06 = 6 KW 08 = 8 KW 10 = 10 KW 15 = 15 KW
		L = 36(F-J) 48(A-E) 60(A-E)* 60(K-M)*	Heat Strip 00 = 0 KW 03 = 3 KW 05 = 5 KW 06 = 6 KW 08 = 8 KW 10 = 10 KW 15 = 15 KW
		X = 48(F-J) 60(F-J)	Heat Strip 00 = 0 KW 03 = 3 KW 05 = 5 KW 06 = 6 KW 08 = 8 KW 10 = 10 KW 15 = 15 KW 20 = 20 KW

NOTE: * = The N(C/T)L20 is only available for the LEM60(A-E) & LEM60(K-M)



ASK FOR ASPEN

Revised 7/2024

In keeping with its commitment to continuous improvement, Aspen Manufacturing reserves the right to make changes without notice and incurring obligation.

BLOWER DATA														
MODEL	SPEED TAP	MOTOR			CFM V EXTERNAL STATIC									
		HP	AMPS	VOLTAGE	0.1	0.2	0.3	0.4	0.5	0.6	0.7	0.8	0.9	1.0
LEM24A-E	TAP 5	1/3	2.8	240V	1030	1000	975	945	910	880	865	830	795	750
	TAP 4				975	945	910	880	865	830	795	775	715	700
	TAP 3				845	810	780	755	725	705	665	635	600	550
	TAP 2				775	745	725	700	665	645	610	575	525	465
	TAP 1				645	620	590	565	550	510	480	420	370	330
LEM36L	TAP 5	1/3	2.8	240V	1250	1225	1200	1175	1150	1125	1050	960	-	-
	TAP 4				1160	1140	1115	1090	1075	1030	1000	975	900	-
	TAP 3				925	900	865	845	810	775	745	710	695	650
	TAP 2				810	770	740	710	680	655	620	590	550	510
	TAP 1				650	640	610	575	540	510	475	420	380	345
LEM24F-M LEM36A-E LEM36K,M LEM48K	TAP 5	1/2	4.1	240V	1320	1300	1285	1265	1225	1200	1165	1130	1100	1070
	TAP 4				1150	1130	1115	1090	1060	1020	975	945	880	810
	TAP 3				930	910	875	845	800	765	675	625	590	540
	TAP 2				825	790	755	720	675	600	550	510	485	440
	TAP 1				745	725	675	645	565	525	480	445	400	350
LEM48L	TAP 5	1/2	4.1	240V	1375	1340	1315	1300	1255	1200	1150	1120	1090	1050
	TAP 4				1175	1150	1125	1075	1075	1045	990	960	900	845
	TAP 3				915	900	880	850	800	765	705	665	620	590
	TAP 2				850	830	780	730	675	635	585	550	510	450
	TAP 1				725	705	675	620	565	530	485	460	415	380
LEM36F-J LEM48A-E LEM60A-E	TAP 5	1	7.6	240V	1690	1650	1630	1610	1600	1590	1570	1550	1515	1500
	TAP 4				1580	1460	1435	1420	1400	1370	1350	1325	1275	1250
	TAP 3				1300	1275	1260	1240	1200	1165	1130	1100	1075	1050
	TAP 2				1175	1160	1130	1090	1050	1000	960	930	900	860
	TAP 1				1020	975	945	900	850	810	775	715	695	650
LEM60C	TAP 5	1	7.6	240V	1750	1730	1695	1655	1630	1570	1520	1475	1450	1415
	TAP 4				1560	1520	1475	1435	1435	1375	1350	1325	1275	1250
	TAP 3				1350	1300	1275	1225	1200	1175	1125	1100	1060	1030
	TAP 2				1175	1140	1100	1075	1050	1000	975	928	895	790
	TAP 1				990	940	910	880	850	790	775	675	620	600
LEM60K-M	TAP 5	1	7.6	240V	2080	2050	2025	2000	1965	1935	1910	1880	1845	1825
	TAP 4				1990	1965	1940	1910	1885	1855	1825	1790	1760	1725
	TAP 3				1855	1830	1795	1775	1745	1710	1680	1645	1615	1580
	TAP 2				1575	1540	1510	1475	1435	1400	1360	1320	1280	1240
	TAP 1				1380	1345	1305	1265	1225	1175	1135	1085	1040	990
LEM48F-J LEM60F-J	TAP 5	1	7.6	240V	2130	2090	2050	2005	1965	1920	1875	1855	1830	1780
	TAP 4				1990	1950	1910	1860	1815	1775	1745	1710	1675	1635
	TAP 3				1815	1760	1725	1675	1615	1600	1560	1520	1475	1415
	TAP 2				1635	1595	1560	1500	1435	1415	1370	1300	1200	1125
	TAP 1				1480	1435	1370	1325	1275	1230	1150	1040	980	925

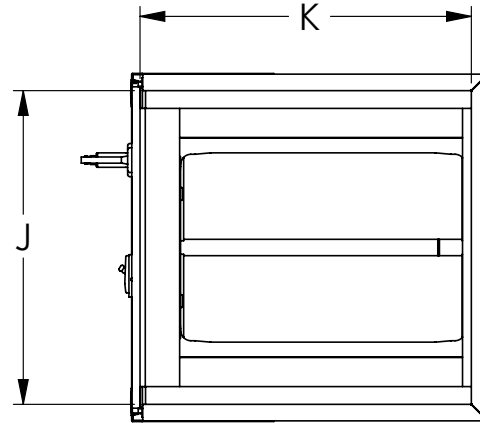
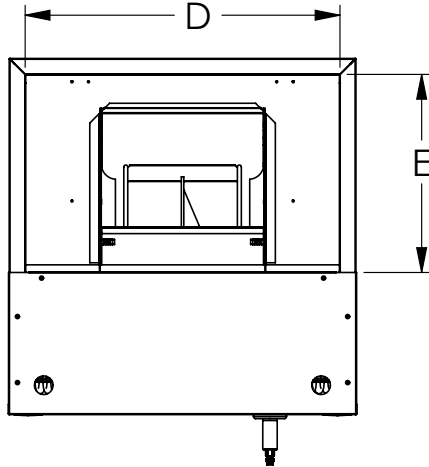
Revised 7/2024

In keeping with its commitment to continuous improvement, Aspen Manufacturing reserves the right to make changes without notice and incurring obligation.

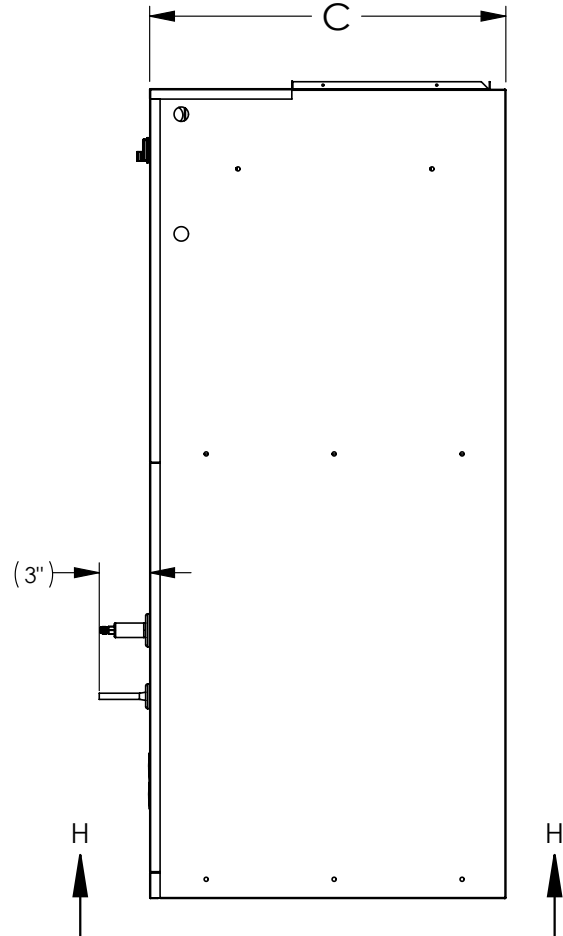
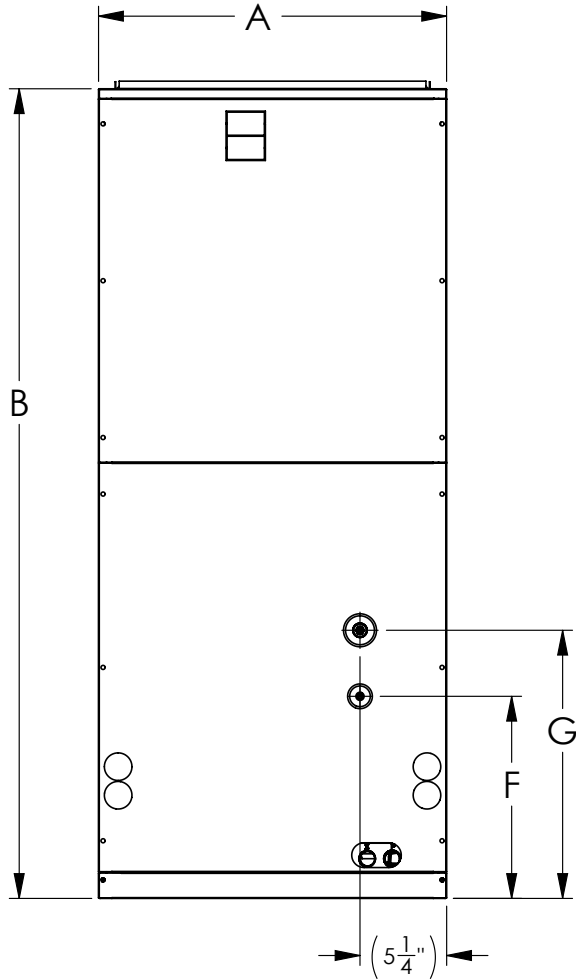
LEM DIMENSIONS															
Model	A	B	C	D	E	F	G	J	K	FILTER SIZE	SHIPPING WEIGHT	SKID QTY			
LEM24A	14.5 [368]	40 [1016]	21.5 [546]	12.5 [318]	12	5 [127]	9 [229]	12.5 [218]	20 [508]	12X20	92	6			
LEM24B						9 [229]	5 [127]								
LEM24C						4 [102]	7 [178]								
LEM24D						5 [127]	9 [229]								
LEM24E						4 [102]	7 [178]								
LEM36L						5 [127]	9 [229]								
LEM24F/36A	17.5 [445]	46 [1168]		19		15.5 [394]	12	10 [254]		13 [330]	15.5 [394]	19	14X20	115	4
LEM24G/36B/48K								4 [102]		7 [178]					
LEM24H/36C								5 [127]		9 [229]					
LEM24I/36D/24L/36K								8 [203]		11 [279]					
LEM24J/36E/24M/36M								10 [254]		13 [330]					
LEM24K								6.5 [165]		10 [254]					
LEM48L	10 [254]	13 [330]													
LEM36F/48A	21 [533]	49 [1245]	19	19	12	9 [229]	12 [305]	19	19	16X20	151	4			
LEM36G/48B						7 [178]	10 [254]								
LEM36H/48C						9 [229]	12 [305]								
LEM36I/48D						10 [254]	14 [356]								
LEM36J/48E						12 [305]	16 [406]								
LEM60A						18 [457]	22 [559]								
LEM60B/60K	12 [305]	16 [406]													
LEM60C/60L	57 [1448]	57	10.5	10.5	10.5	14 [356]	18 [457]	22.5	22.5	20X20	180	4			
LEM60D/60M						16 [406]	20 [508]								
LEM60E						18 [457]	22 [559]								
LEM48F/60F						18 [457]	22 [559]								
LEM48G/60G						12 [305]	16 [406]								
LEM48H/60H						14 [356]	18 [457]								
LEM48I/60I	16 [406]	20 [508]													
LEM48J/60J	18 [457]	22 [559]													

Revised 7/2024

In keeping with its commitment to continuous improvement, Aspen Manufacturing reserves the right to make changes without notice and incurring obligation.



VIEW H-H



ASK FOR ASPEN

Revised 7/2024

In keeping with its commitment to continuous improvement, Aspen Manufacturing reserves the right to make changes without notice and incurring obligation.